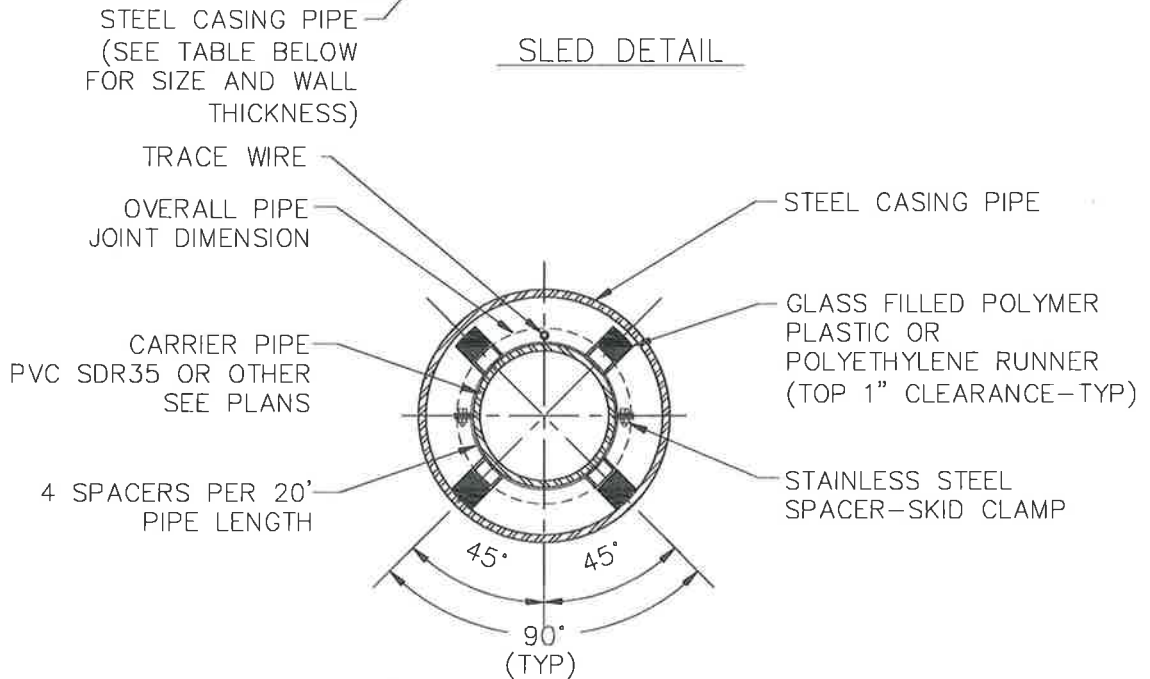


SLED DETAIL



PIPE CASING DETAIL

CARRIER PIPE NOMINAL $\phi$	CASING PIPE	
	MIN OD	MIN WALL THICKNESS
6"	16"	0.375"
8"	20"	0.375"
10"	24"	0.375"
12"	30"	0.375"
15"	36"	0.500"
18"	42"	0.500"
24"	48"	0.500"
30"	54"	0.500"

DATE  
10/25/2019

DRAWING  
D.17S

VALLEY  
SANITATION DISTRICT

PIPE CASING AND  
SPACER DETAIL