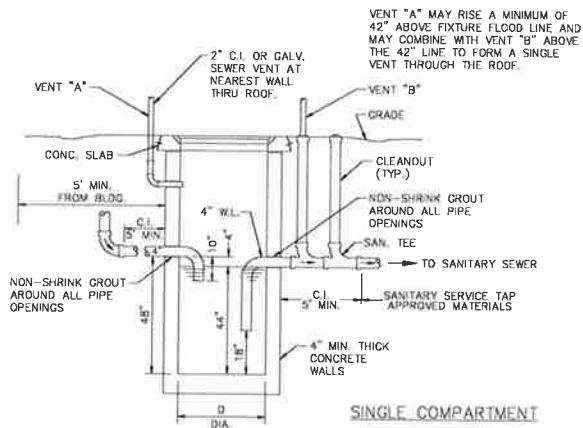
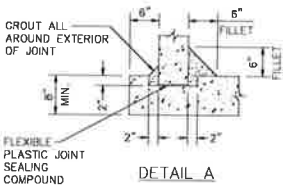


LOW RATE-SINGLE COMPARTMENT

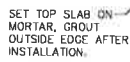


SINGLE COMPARTMENT

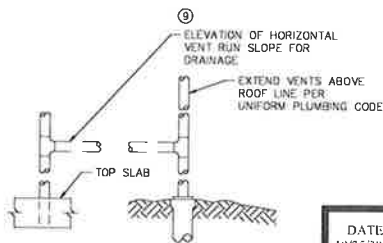
RATED CAPACITY	D
85 GALLON	24"
200 GALLON	36"



DETAIL A

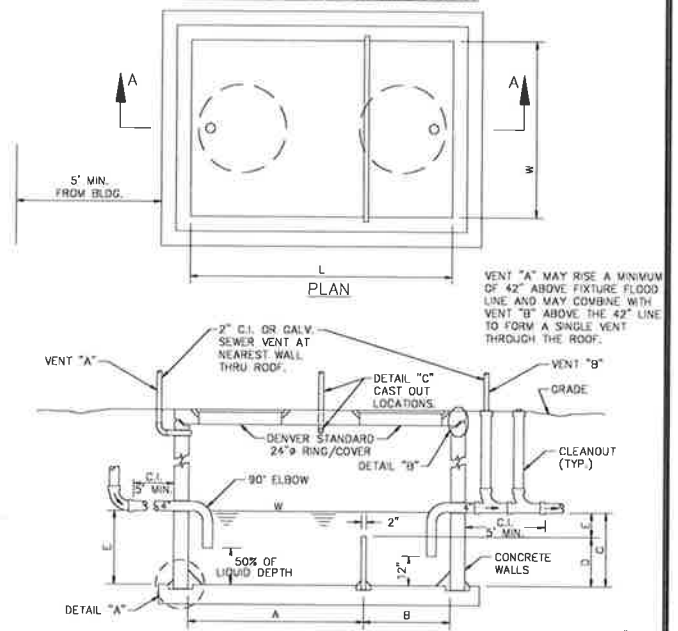


DETAIL B



DETAIL C

HIGH RATE - DUAL COMPARTMENT



SECTION "A-A"

DUAL COMPARTMENT

RATED CAPACITY	L	W	A	B	C	D	E
750 GALLON	96"	48"	64"	32"	38"	25"	1.3"
1000 GALLON	108"	72"	72"	36"	30"	20"	1.0"
1500 GALLON	120"	72"	80"	40"	40"	27"	1.3"

NOTE: F = C+2"
G = D-2"

DATE 10/25/2019	VALLEY SANITATION DISTRICT	LOW & HIGH RATE SAND AND OIL INTERCEPTOR
DRAWING D.26S		