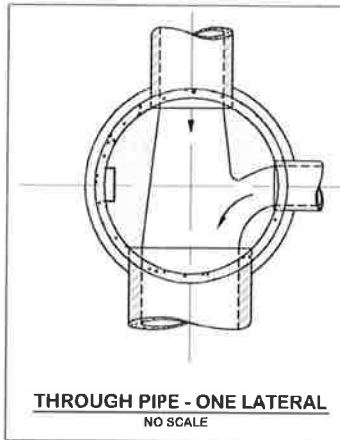
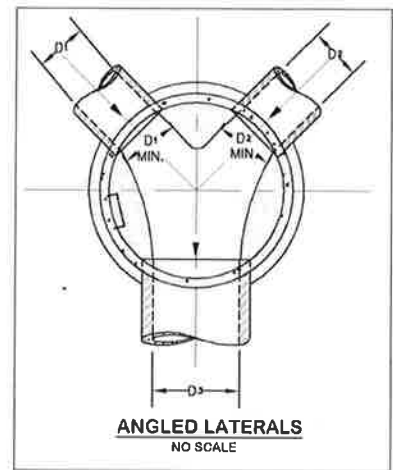


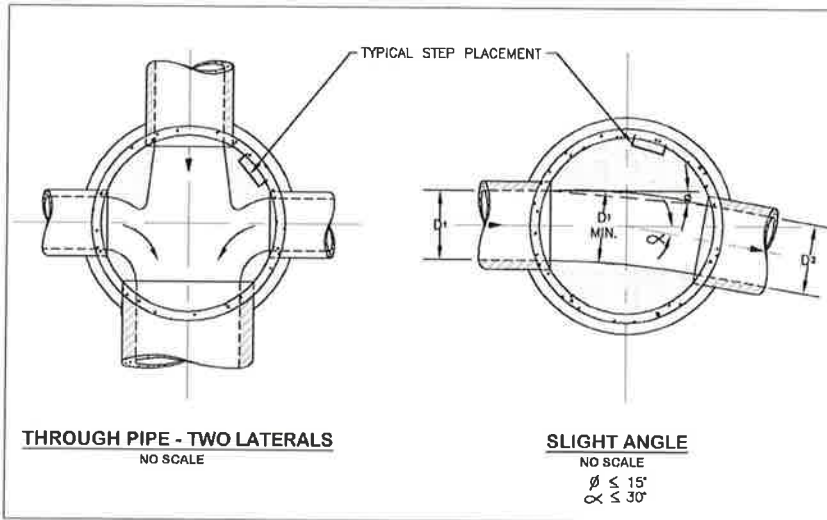
**THROUGH PIPE**  
NO SCALE



**THROUGH PIPE - ONE LATERAL**  
NO SCALE

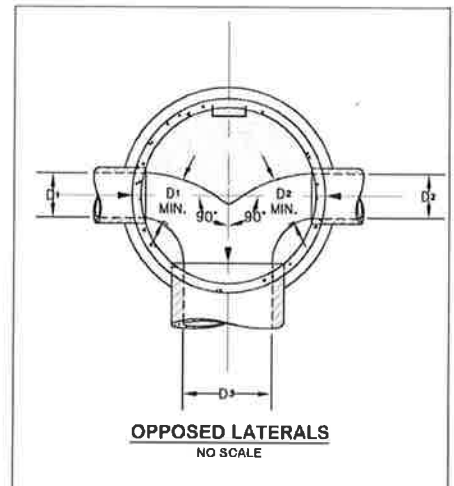


**ANGLED laterals**  
NO SCALE

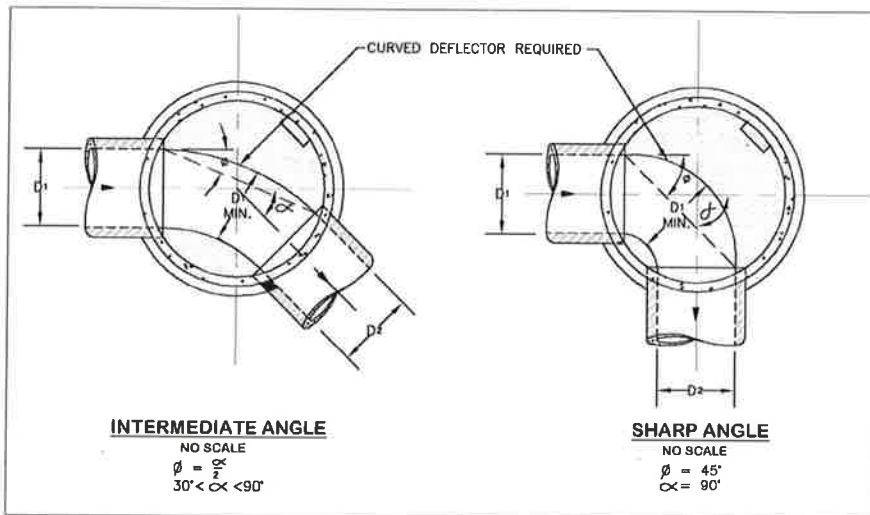


**THROUGH PIPE - TWO laterals**  
NO SCALE

**SLIGHT ANGLE**  
NO SCALE  
 $\phi \le 15^\circ$   
 $\alpha \le 30^\circ$



**OPPOSED laterals**  
NO SCALE



**INTERMEDIATE ANGLE**  
NO SCALE  
 $\phi = \frac{\alpha}{2}$   
 $30^\circ < \alpha < 90^\circ$

**SHARP ANGLE**  
NO SCALE  
 $\phi = 45^\circ$   
 $\alpha = 90^\circ$

**NOTES:**

1. A FULL DEPTH CHANNEL IS REQUIRED IN BENCH.
2. THE MINIMUM VERTICAL DROP THRU MANHOLE BASE SHALL BE 0.2'.
3. FOR VERTICAL DROPS IN EXCESS OF 18", AN OUTSIDE DROP MANHOLE IS REQUIRED.

DATE  
10/25/2019

DRAWING  
D.5S

VALLEY  
SANITATION DISTRICT

BASE & DEFLECTOR  
DETAIL