

18" FIBER MESH CONCRETE COLLAR, 1" BELOW RIM AND SLOPED AWAY FROM MH (IN FIELD)

24"DIA-8"H, CAST IRON RING AND COVER, SEE MH COVER DETAIL FOR ADDITIONAL SIZING

2' DIA PRECAST CONC ADJUSTMENT RINGS SET IN FLEXIBLE BUTYL RUBBER CAULKING, USE FULL HEIGHT RINGS

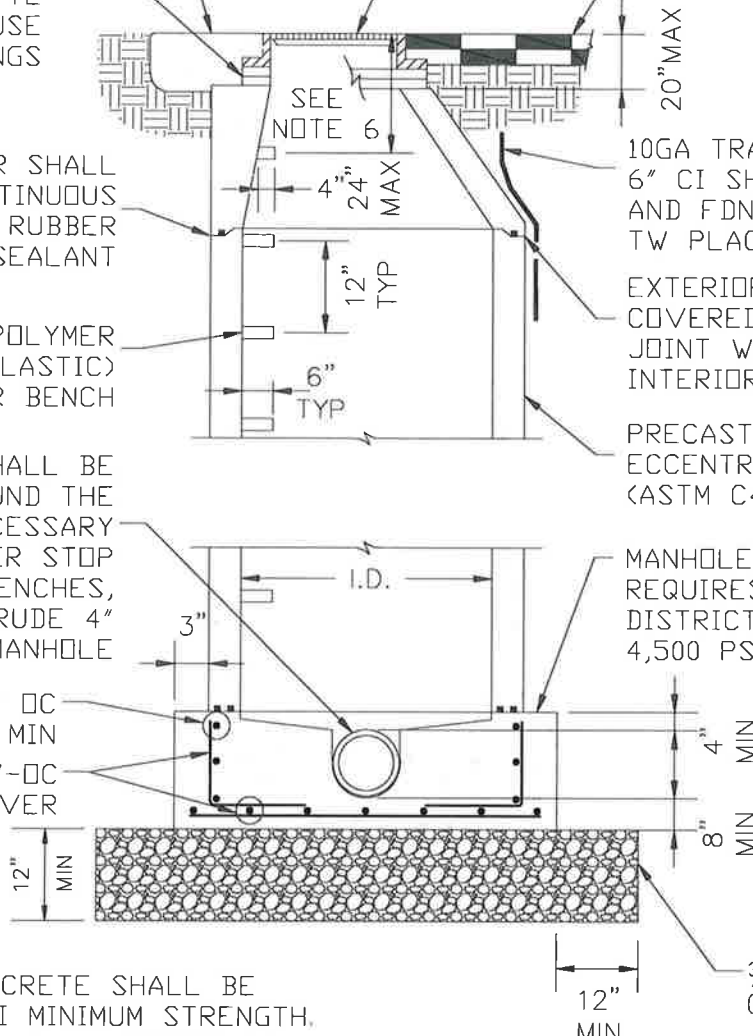
FINISHED PAVEMENT PER GOVERNING AUTHORITY

EACH PRECAST RISER SHALL BE SET IN A CONTINUOUS BED OF BUTYL RUBBER SEALANT

MANHOLE STEPS (COPOLYMER POLYPROPYLENE PLASTIC) PLACED OVER BENCH

MANHOLE BASE SHALL BE POURED AROUND THE PIPE WITH NECESSARY INVERTS, WATER STOP GASKETS AND BENCHES, PIPE SHALL PROTRUDE 4" MIN WITHIN THE MANHOLE

#4 RINGS @ 12" OC
3 RINGS MIN
#4 @ 12" EW-OC
MIN 3" COVER



10GA TRACE WIRE INTO 6" CI SHORT VALVE BOX AND FDN. SEE TYPICAL TW PLACEMENT DETAIL

EXTERIOR JOINTS TO BE COVERED IN 12" WIDE JOINT WRAP, GROUT INTERIOR JOINTS

PRECAST RISER AND ECCENTRIC CONE (ASTM C478)

MANHOLE CIP BASE REQUIRES PRIOR DISTRICT APPROVAL 4,500 PSI MIN CONCRETE

NOTES:

1. ALL PRECAST CONCRETE SHALL BE WET CAST, 6,000 PSI MINIMUM STRENGTH.
2. MANHOLES ARE TO BE WATERPROOF.
3. PRECAST MANHOLE WILL REQUIRE AN EXTERIOR COATING OF WATERPROOFING.
4. THE BENCH SHALL HAVE A BRUSHED SURFACE AND A FULL DEPTH CHANNEL.
5. A TWO-SIDED CONFINED SPACED WARNING TAG SHALL BE ATTACHED TO THE TOP STEP.

MANHOLE ID:

- ID=4' FOR SEWER MAIN DIAMETERS < 15"
 - ID=5' FOR SEWER MAIN DIAMETERS 15"-36"
 - ID=6' FOR SEWER MAIN DIAMETERS 42"-48"
- WHENEVER MORE THAN A TWO WAY MH OF MAX PIPE IS REQUIRED, THE MH SHALL BE INCREASED TO THE LARGER DIAMETER SIZE

DATE
10/25/2019

DRAWING
D.7S

VALLEY
SANITATION DISTRICT

PRECAST MANHOLE
CAST-IN-PLACE BASE
DETAIL