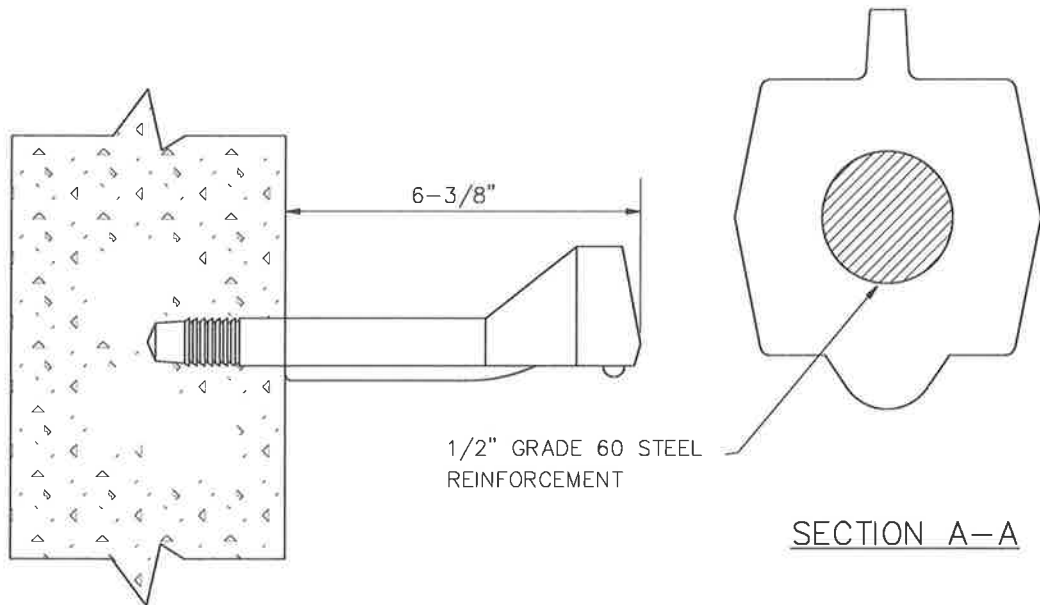


COPOLYMER POLYPROPYLENE PLASTIC



DATE
10/25/2019

DRAWING
D.9S

VALLEY
SANITATION DISTRICT

PLASTIC
STEP
DETAIL